



# O/E/N 33H

## HEAVY DUTY POWER RELAY

- Heavy Duty make, break & carry upto 20Amps
- 2 Form C and 1 Form Z version
- Dust Protected
- LED & Freewheeling Diode (Optional)
- Din Rail & Screw type socket available
- Comply to IEC 60255-5

### SPECIFICATIONS

|                            |   |
|----------------------------|---|
| Contact Arrangement        | : 2 Form C, 1 Form Z                    |
| Contact Material           | : Silver Alloy                          |
| Contact Rating             | : Make, Break & Carry                   |
| 2 Form C                   | : 10 A @ 220 VDC                        |
| 1 Form Z                   | : 20 A @ 220 VDC                        |
| Max. Switching Voltage     | : 220 VDC                               |
| Max. Switching Current     | : 20 A                                  |
| Contact Resistance Initial | : < 50 Ohms                             |
| Life Expectancy            |   |
| Mechanical                 | : 10 <sup>6</sup> operations            |
| Electrical                 | : 10 <sup>5</sup> operations            |
| Dielectric Strength        |   |
| Between coil and contact   | : 2500 VAC                              |
| Insulation Resistance      | : 1000M Ohms@<br>500VDC, 25 °C,<br>RH50 |
| Operate time               |   |
| at Nominal Voltage         | : 20 milli sec. (Max)                   |
| Release time               |   |
| at Nominal Voltage         | : 20 milli sec. (Max)                   |
| Ambient Temperature        | : -40 °C to 55 °C                       |
| Weight                     | : 125g                                  |

#### Typical applications

Circuit Breaker, High Voltage DC switching applications, High Voltage DC Motor etc.

**Note :** In case of relay with clamping diode take terminal A as positive.

All dimensions are in mm. Specifications subject to change without notice. Tolerance unless otherwise specified is ± 10%.

### COIL DATA

| * Nominal Voltage (VDC/VAC) | Pick-up Voltage (VDC/VAC max) | Drop-out Voltage (VDC/VAC min) | Coil Resistance Ohms ± 10% |
|-----------------------------|-------------------------------|--------------------------------|----------------------------|
|-----------------------------|-------------------------------|--------------------------------|----------------------------|

#### DC COIL DATA

|     |       |      |       |
|-----|-------|------|-------|
| 12  | 9.0   | 1.2  | 75    |
| 24  | 18.0  | 2.4  | 250   |
| 48  | 36.0  | 4.8  | 1125  |
| 110 | 82.5  | 11.0 | 6250  |
| 220 | 165.0 | 22.0 | 20000 |

#### AC COIL DATA

|     |       |      |      |
|-----|-------|------|------|
| 115 | 86.0  | 12.0 | 1000 |
| 230 | 172.0 | 23.0 | 4000 |

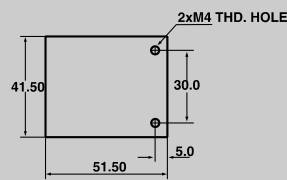
\*Special coils available on request

### SOCKET ORDERING CODE

|               |                  |
|---------------|------------------|
| Din rail Type | :33 - 4700 - 100 |
| Screw Type    | :33 - 4100 - 200 |

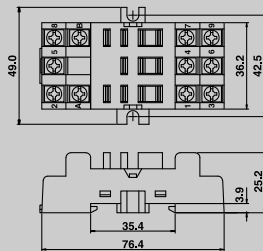
### MOUNTING HOLE

#### Panel Mountable Relay

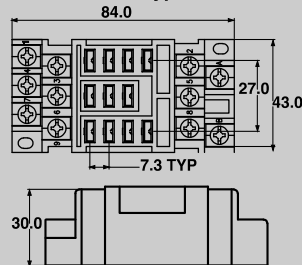


### SOCKET TERMINAL LAYOUT

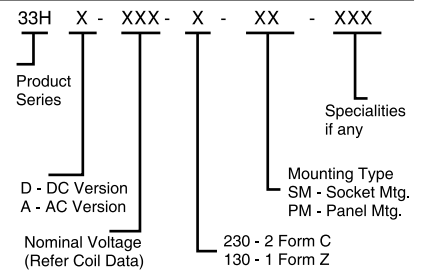
#### Din Rail Type



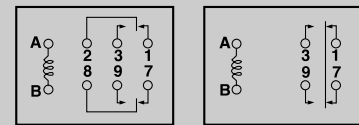
#### Screw Type



### HOW TO ORDER



### WIRING LAYOUT

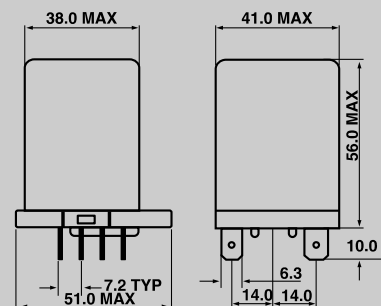


2 FORM C

1 FORM Z

### DIMENSION

#### Panel Mountable



#### Socket Mountable

