



# O/E/N 83

## AUTOMOTIVE LOW PROFILE MICRO RELAY

### FEATURES

- Rated upto 20A
- Low profile
- Low coil power
- Enclosure IP 67

### APPLICATION

- ECU Controls
- Electronic fuel pump
- Lamp controls
- Starter motors
- A/C Controls
- Fan controls
- Window defogger
- Wiper controls

### TECHNICAL DATA FOR CONTACT SIDE :

Areas of Application	Resistive / Inductive / Head Lamp / Capacitive Load
Contact Configuration	: 1 Form A, 1 NO
Contact Material	: Silver Alloy
Contact Rating at 23°C-13.5VDC	: 20 A
Electrical Life Operations Min.	: $2 \times 10^5$
Mechanical Life Operations Min.	: $1 \times 10^7$
Contact Voltage Drop at 10 A (Max.)	: 30mV
Maximum Switching Current @ 12 VDC For 3 Sec.	: 100A

### GENERAL DATA FOR COIL SIDE

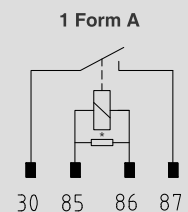
Nominal Coil Power	: 1.10W (Approx.)
Operating Power	: 0.49W (Approx.)
Operate Time*	: 10 milli Seconds max
Release Time*	: 7 milli Seconds max

\* At nominal voltage without coil suppression (excluding bounce)

### OPERATING CONDITIONS

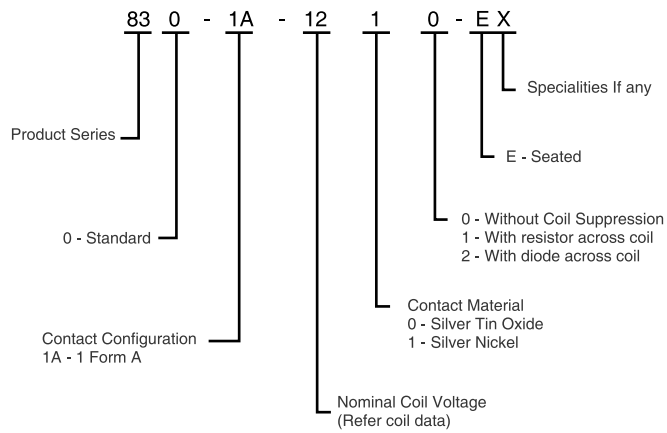
Ambient Temperature	: -40°C to +85°C
Dielectric Strength	: 500VRMS
Insulation Resistance	: 10 M Ohms Min. At 500 VDC, 25°C RH 50
Vibration Resistance (without change in the switching state > 10μS)	: 10 to 55Hz 4.4g
Shock Resistance	: 20g, 8mS
Weight	: 15 gms

### CIRCUIT DIAGRAM



\* Parallel resistor or diode optional

## HOW TO ORDER

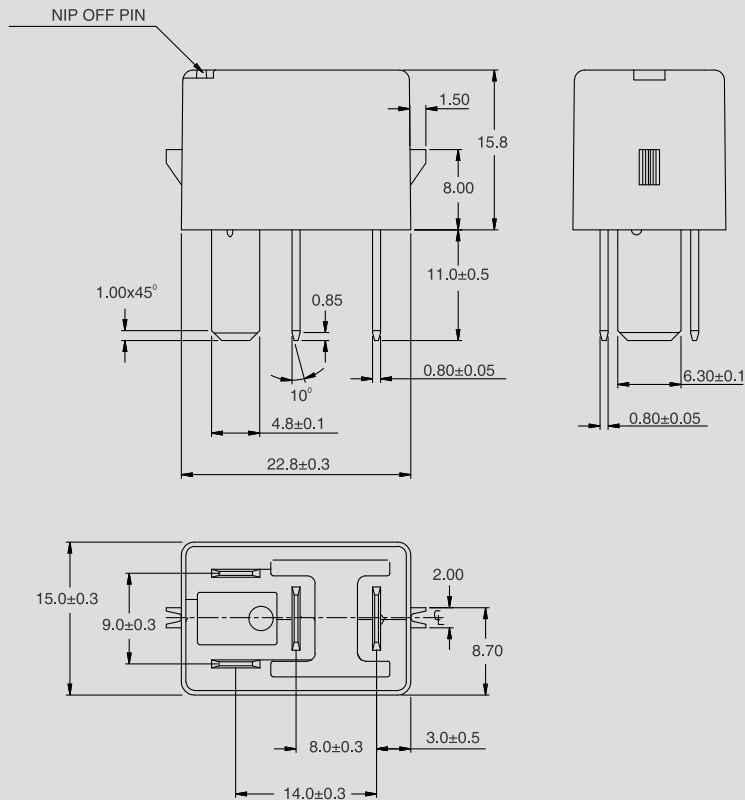


## COIL DATA

Nominal Voltage V DC	*Pick Up Voltage V DC (Max)	Drop- Out Voltage V DC (Min)	Coil Resistance Ohms $\pm 10\%$
12	8.0	1.5	130
12	8.0	1.5	200
24	16.0	3.0	520

\*\*Lower pick-up voltages available on request

## DIMENSIONS



Note: Nip - off pin may be removed after soldering and cleaning for ventilation.

## AVAILABLE ON REQUEST

- For other custom solutions consult factory