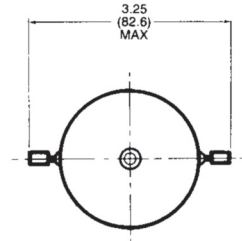
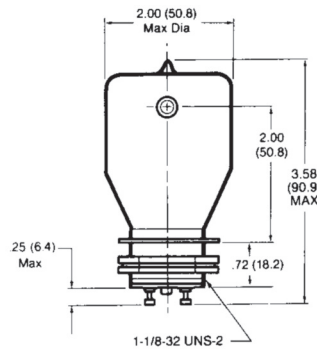


H-23/24 Series Make & Break Load Switching — 30 kV Relay

(Not recommended for new designs)

Product Facts

- See K61 or K62 series for latest generation products
- Vacuum dielectric for power switching low current loads



Product Specifications

Contact Arrangement —

H-23 — SPST-NC
H-24 — SPST-NO

Contact Form —

H-23 — B
H-24 — A

Test Voltage, DC or 60 Hz (Peak) —
35 kV

Rated Operating Voltage (Peak) —

DC or 60 Hz — 30 kV
2.5 MHz — 24 kV
16 MHz — 18 kV
32 MHz — 7 kV

Continuous Carry Current, Max. —

DC or 60 Hz — 30 A
2.5 MHz — 20 A
16 MHz — 12 A
32 MHz — 7 A
Coil Hi-Pot (Vrms, 60 Hz) — 500 A

Contact Capacitance —

Between Open Contacts — N/A
Open Contacts to Ground — N/A

Contact Resistance, Max. —
0.015 ohm

Operate Time, Max. — 30 ms

Release Time, Max. — 20 ms

Shock, 11ms, 1/2 Sine (Peak) —
20 g

Vibration —
Peak — 10 g (55 to 500 Hz)

Operating Ambient Temperature Range — -55°C to +125°C

Mechanical Life — 1 million cycles

Weight, Nominal — 198.4 g (7 oz.)

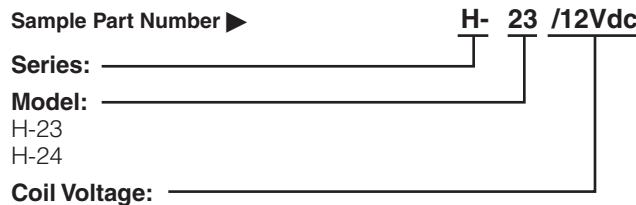
Coil Data

Volts, Nominal DC	12 V	26.5 V	115 V
Pickup, Max.	8 Vdc	16 Vdc	80 Vdc
Dropout	.5-5 Vdc	1-10 Vdc	5-50 Vdc
Coil Resistance (±10%)	24	120 Ω	2000 Ω

Ratings listed are for 25°C, sea level conditions

Ordering Information

Sample Part Number ►



Coil Voltage:
Blank = 26.5 Vdc
/12Vdc = 12 Vdc
/115Vdc = 115 Vdc

For factory-direct application assistance, dial 800-253-4560, ext. 2055, or 805-220-2055.