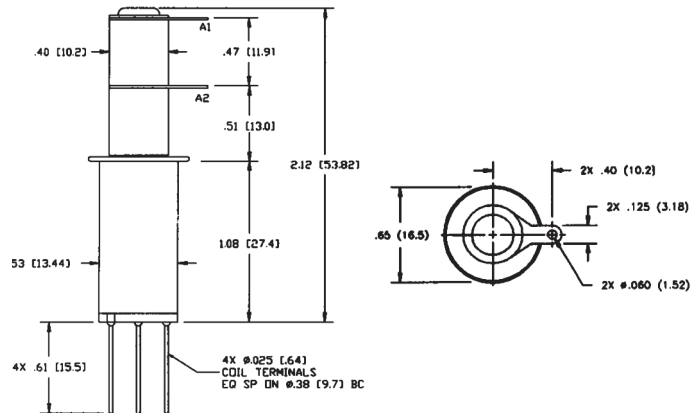


**K43 Series Make & Break Load Switching — 10 kV Relays (Continued)**

**KILOVAC K43P  
Make & Break Load  
Switching**

**Product Facts for K43P**

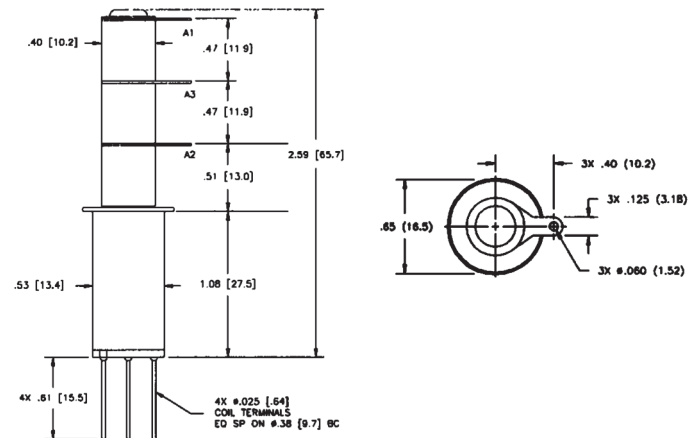
- High power rating; 24 Amps DC continuous current carry
- Vacuum dielectric for power switching low current loads
- Low power consumption
- Fast operating: 5 millisecond operate time
- Meets requirements of MIL-R-83725



**KILOVAC K43R  
Make & Break Load  
Switching**

**Product Facts for K43R**

- Single pole, double throw contacts with latching actuator
- Vacuum dielectric for power switching low current loads
- Carries 6 Amps at 32 MHz
- Meets requirements of MIL-R-83725



**Product Specifications for  
K43P and K43R**

**Contact Arrangement** —  
K43P — SPST-Latching  
K43R — SPDT-Latching

**Contact Form** —  
K43P — P  
K43R — R

**Test Voltage, DC or 60 Hz (Peak)** —  
11 kV

**Rated Operating Voltage (Peak)** —  
DC or 60 Hz — 10 kV  
2.5 MHz — 7 kV  
16 MHz — 6 kV  
32 MHz — 4 kV

**Continuous Carry Current, Max.** —  
DC or 60 Hz — 24 A  
2.5 MHz — 16 A  
16 MHz — 9 A  
32 MHz — 6 A  
Coil Hi-Pot (Vrms, 60 Hz) — 500 A

**Contact Capacitance** —  
Between Open Contacts — 1.2 pF  
Open Contacts to Ground — 1.2 pF

For factory-direct application assistance,  
dial 800-253-4560, ext. 2055, or  
805-220-2055.

**Contact Resistance, Max.** —  
0.02 ohm

**Operate Time, Max.** —  
K43P — 5 ms  
K43R — 6 ms

**Release Time, Max.** — N/A

**Shock, 11ms, 1/2 Sine (Peak)** —  
30 g

**Vibration** —  
Peak — 7 g (55 to 2000 Hz)

**Operating Ambient Temperature  
Range** — -55°C to +125°C

**Mechanical Life** — 1 million cycles

**Weight, Nominal** —  
28.35 g (1 oz.)

**\*See page 7-87 for mounting  
methods.**

**Coil Data**

Volts, Nominal	26.5 Vdc
Latch & Reset, Max.	16 Vdc
Dropout	N/A
Coil Resistance (±10%)	80 Ω

Ratings listed are for 25°C, sea level conditions

**Ordering Information**

