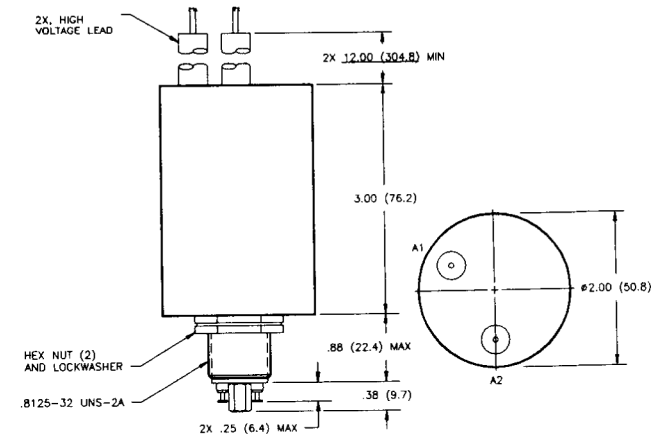
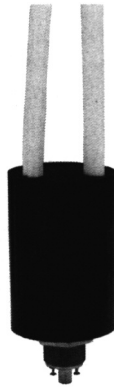


K70 Series Make Only Load Switching — 70 kV Relays

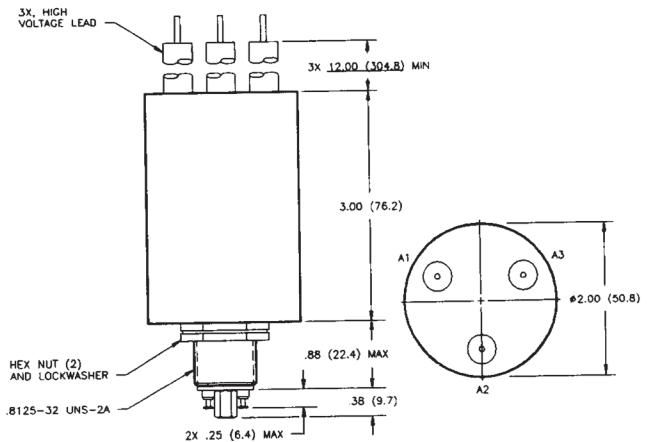
K70A and K70B Product Facts

- New, small, compact 70 kV relay package
- SF-6 gas-filled for capacitive discharge and high voltage isolation applications
- Suitable for charging and discharging of high voltage capacitors
- Safe for use in adverse environments



K70C Product Facts

- SPDT version of K70A
- SF-6 gas-filled for capacitive discharge and high voltage isolation applications
- Suitable for charging and discharging of high voltage capacitors



Product Specifications for K70A, K70B and K70C

Contact Arrangement —

K70A — SPST-NO
K70B — SPST-NC
K70C — SPDT

Contact Form —

K70A — A
K70B — B
K70C — C

Test Voltage, DC or 60 Hz (Peak) — 75 kV

Rated Operating Voltage (Peak) — DC — 70 kV
60 Hz RMS — 30 kV

Continuous Carry Current, Max. — DC or 60 Hz — 10 A
Coil Hi-Pot (Vrms, 60 Hz) — 500 A

Contact Capacitance — Between Open Contacts — N/A
Open Contacts to Ground — N/A

Contact Resistance, Max. — 2.0 ohm*

For factory-direct application assistance, dial 800-253-4560, ext. 2055, or 805-220-2055.

Operate Time, Max. — 20 ms

Release Time, Max. — 15 ms

Shock, 11ms, 1/2 Sine (Peak) — 20 g

Vibration — Peak — 10 g (55 to 500 Hz)

Operating Ambient Temperature Range — 0°C to +85°C

Mechanical Life — 500,000 cycles

Weight, Nominal — 510.3 g (18 oz.)

Note:

*Contact resistance for gas-filled relays measured at 28 Vdc, 1 Amp

Coil Data

Volts, Nominal	26.5 Vdc
Pickup, Max.	22 Vdc
Dropout	1-10 Vdc
Coil Resistance (±10%)	75 Ω

Ratings listed are for 25°C, sea level conditions

Ordering Information

Sample Part Number ► **K70 A 8 4 1**

Series: _____

Contact Form: _____
A = SPST-NO B = SPST-NC C = SPDT

Coil Voltage: _____
8 = 26.5 Vdc, Turret Terminal

High Voltage Connections: _____
4 = Flying Leads, 12"
7 = Flying Leads, 72"
8 = Flying Leads, 36"

Mounting: _____
1 = Threaded