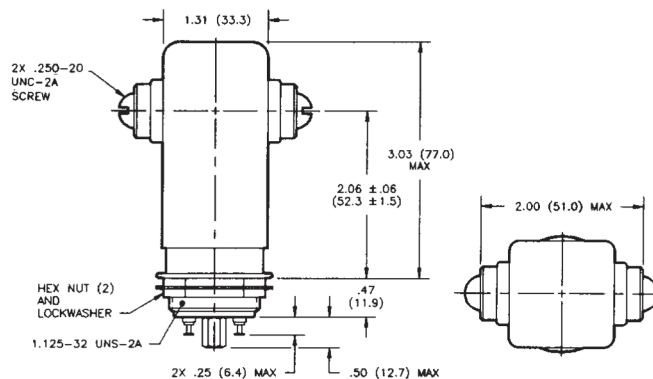
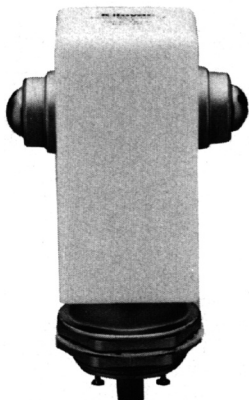


## KC-Series No Load Switching — 25 kV Relays

### KC-20

#### Product Facts

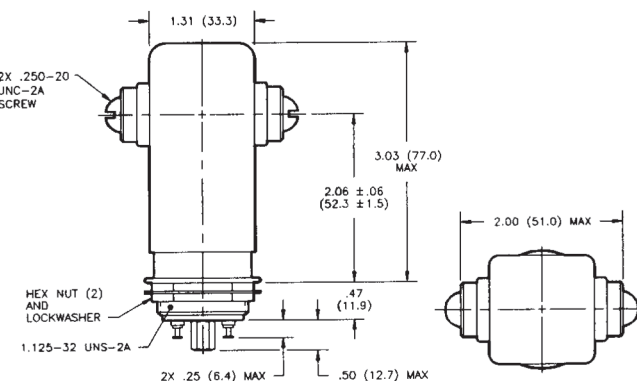
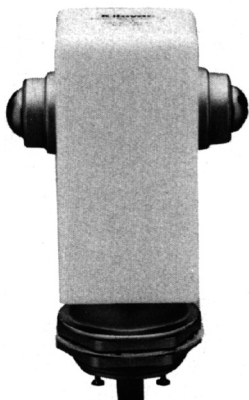
- Rugged, high current carry ceramic relay
- Carries 30 Amps at 32 MHz
- Copper contacts; not designed for power switching
- Meets requirements of MIL-R-83725



### KC-30

#### Product Facts

- Normally closed version of KC-20
- Carries 55 Amps DC
- Vacuum dielectric for low leakage current applications



#### Product Specifications for KC-20 and KC-30

##### Contact Arrangement —

KC-20 — SPST-NO  
KC-30 — SPST-NC

##### Contact Form —

KC-20 — X  
KC-30 — Y

##### Test Voltage, DC or 60 Hz (Peak) —

KC-20 — 30 kV  
KC-30 — 28 kV

##### Rated Operating Voltage (Peak) —

DC or 60 Hz — KC-20 — 28 kV  
KC-30 — 25 kV

2.5 MHz — 22 kV

16 MHz — KC-20 — 12 kV  
KC-30 — 10 kV

32 MHz — KC-20 — 10 kV  
KC-30 — 9 kV

##### Continuous Carry Current, Max. —

DC or 60 Hz — KC-20 — 110 A  
KC-30 — 55 A

2.5 MHz — KC-20 — 60 A  
KC-30 — 30 A

16 MHz — KC-20 — 40 A  
KC-30 — 20 A  
32 MHz — KC-20 — 30 A  
KC-30 — 15 A  
Coil Hi-Pot (Vrms, 60 Hz) — 500 A

**Contact Capacitance —**  
Between Open Contacts — 2.5 pF  
Open Contacts to Ground — 2.5 pF

**Contact Resistance, Max. —**  
KC-20 — 0.005 ohm  
KC-30 — 0.01 ohm

**Operate Time, Max. —** 18 ms

**Release Time, Max. —**  
KC-20 — 10 ms  
KC-30 — 20 ms

**Shock, 11ms, 1/2 Sine (Peak) —**  
30 g

**Vibration —**  
Peak — 10 g (55 to 500 Hz)

**Operating Ambient Temperature Range —** -55°C to +125°C

**Mechanical Life —** 2 million cycles

**Weight, Nominal —**  
340 g (12 oz.)

#### Coil Data

Volts, Nominal DC	12 V	26.5 V	115 V
Pickup, Max.	8 Vdc	16 Vdc	80 Vdc
Dropout	.5-5 Vdc	1-10 Vdc	5-50 Vdc
Coil Resistance (±10%)	24 Ω	120 Ω	2000 Ω

Ratings listed are for 25°C, sea level conditions

#### Ordering Information

Sample Part Number ► **KC- 20 /12Vdc**

Series: \_\_\_\_\_

Model: \_\_\_\_\_

KC-20 \_\_\_\_\_

KC-30 \_\_\_\_\_

Coil Voltage: \_\_\_\_\_

Blank = 26.5 Vdc

/12Vdc = 12 Vdc

/115Vdc = 115 Vdc

For factory-direct application assistance, dial 800-253-4560, ext. 2055, or 805-220-2055.