

# O/E/N 37-T

## ICE CUBE STYLE INDUSTRIAL RELAY

- Mechanical Flag Indication
- Lockable Test Button
- LED & Free Wheeling Diode across coil
- Compact High Performance
- Din Rail Mounting Sockets available
- Comply to IEC 60255-5

### SPECIFICATIONS

Contact Arrangement	: 2C, 4C
Contact Material	: Silver Alloy
Rated Voltage	: 230 VAC / 24 VDC
Contact Rating	:
2A, 2C	: 10A@230VAC/24VDC
4A, 4C	: 5A@230VAC/24VDC
Max. Switching Voltage	: 230 VAC / 24 VDC
Contact Resistance Initial	: 50m Ohms
Nominal Coil Power	: 0.9 W (approx.)
Life Expectancy	:
Mechanical	: 10 <sup>7</sup> Operations
Electrical	: 10 <sup>5</sup> Operations
Dielectric Strength	:
Between coil and contacts	: 2000 VRMS
Between open contacts	: 1000 VRMS
Insulation Resistance	: 100 Meg. Ohms @ 500 VDC, 25°C, RH50
Operate time at nom. Volt.	: 20 milli. Sec.
Release time at nom. Volt.	: 20 milli. Sec.
Ambient Temperature	: -40°C to + 85° C
Weight	: 35g

#### Typical Applications

Industrial Controls, Office Automation, PLCs, Timers.

### COIL DATA

Nominal Voltage VDC	Pick-up Voltage (25°C) VDC (Max)	Coil Resistance Ohms (25°C)
12	9.6	160
24	19.2	650
220	176	42000

#### DC Coil Data

12	9.6	160
24	19.2	650
220	176	42000

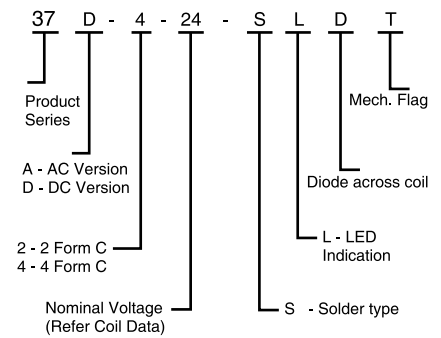
#### AC Coil Data

110	90	3750
240	190	18790

### SOCKET ORDERING CODE

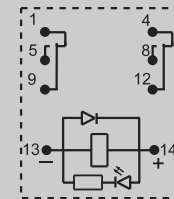
<b>2 Form C</b>	<b>37-9900-200</b>
<b>4 Form C</b>	<b>37-9700-100</b>
	<b>37-9700-200</b>

### HOW TO ORDER

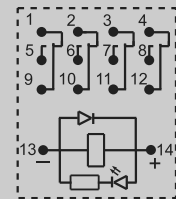


### WIRING LAYOUT

#### 2 Form C



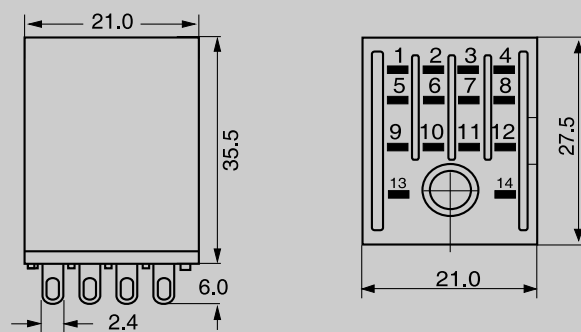
#### 4 Form C



Note:  
For 2 Form C relays use terminals 1,5,9 & 4,8,12

### DIMENSIONS

#### Plug in Version



All dimensions are in mm. Specifications subject to change without notice. Tolerance unless otherwise specified is ± 10%.