

# O/E/N 40

## DUAL MINI RELAY

### FEATURES

- Small size (17.5x16.9x13.2)
- 20 A Switching capacity
- 2 Separate systems
- PCB Mountable
- Sealed

### APPLICATION

- Window motors
- Seatbelt pretensioner
- Sunroof motors
- Seat adjustment motors
- Door locking systems
- Immobilizers

### TECHNICAL DATA FOR CONTACT SIDE :

Areas of Application	Resistive / Inductive Load
Contact Configuration	: 2 x 1 Form C
Contact Material	: Silver Alloy
Contact Rating at 23°C - 12VDC (Res.)	: 20A / 10A
Electrical Life Operations Min.	: 1 x 10 <sup>5</sup>
Mechanical Life Operations Min.	: 1 x 10 <sup>6</sup>
Contact Voltage Drop at 10 A (Max.)	: 30mV
Maximum Switching Current	

### GENERAL DATA FOR COIL SIDE

Nominal Coil Power	: 0.8W (Approx)
Operating Power	: 0.6W (Approx)
Operate Time*	: 3 milli Seconds
Release Time*	: 2 milli Seconds

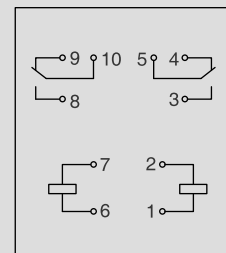
\* At nominal voltage (excluding bounce)

### OPERATING CONDITIONS

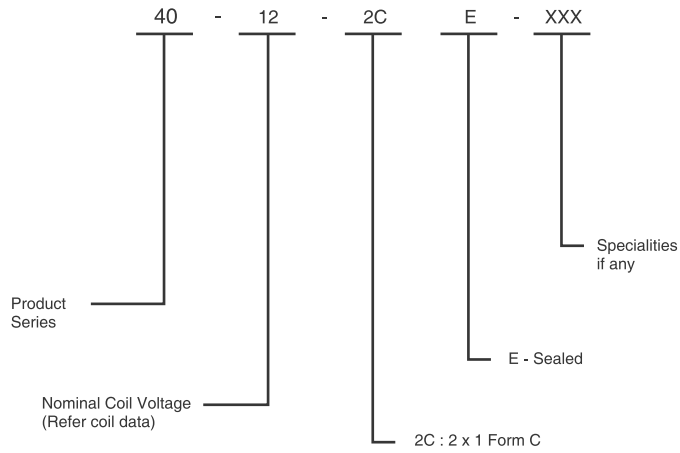
Ambient Temperature	: -30°C to +85°C
Maximum Temperature	: 125°C
Dielectric Strength	: 500VRMS
Insulation Resistance	: 100 Meg. Ohms Min. At 500 VDC, 25°C RH 50
Vibration Resistance (without change in the switching state>10µS)	: 10-200Hz 10g (min)
Shock Resistance (without change in the switching state>10µS)	: 20g, 6mS

### CIRCUIT DIAGRAM

2 x 1 Form C



## HOW TO ORDER

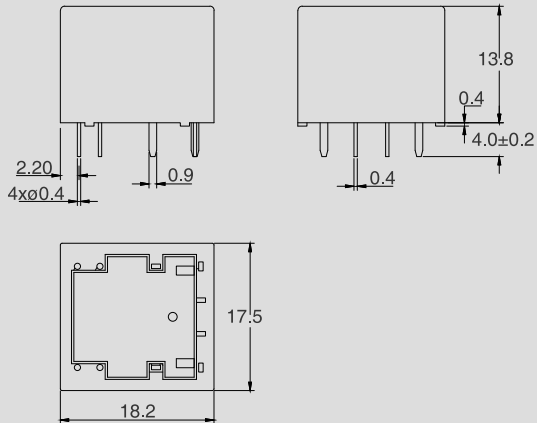


## COIL DATA

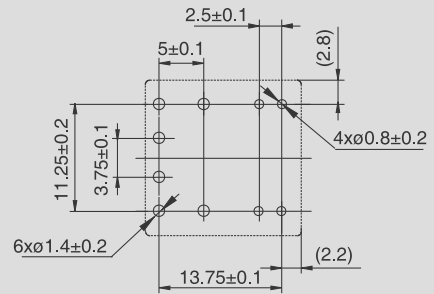
Nominal Voltage VDC	Pick-up Voltage VDC (Max)	Drop-out Voltage VDC (Min)	Coil Resistance Ohms $\pm 10\%$
12	7.2	1.2	260

\*\*Lower pick-up voltages available on request

## DIMENSIONS



## DRILLING PATTERN



**AVAILABLE ON REQUEST**

- For custom solutions consult factory