



# O/E/N 41

## AUTOMOTIVE POWER RELAY

### FEATURES

- Direct PCB mountable
- Limiting continuous current 20A
- Compact in size
- Enclosure IP67

### APPLICATION

- Power windows
- Power door locks
- Direction indicators
- Seat adjustment
- Wiper control

### TECHNICAL DATA FOR CONTACT SIDE :

Areas of Application	Resistive / Inductive Load
Contact Configuration	: 1 Form A, 1 NO / 1 Form C, 1 CO
Contact Material	: Silver Alloy
Contact Rating at 13.5 VDC	: 20A/10A
Electrical Life Operations	: $1 \times 10^5$
Mechanical Life Operations	: $1 \times 10^6$
Contact Voltage Drop at 10 A (Max.)	: 50mV
Maximum Switching Current @ 13.5 VDC for 3 Sec	: 35A

### GENERAL DATA FOR COIL SIDE

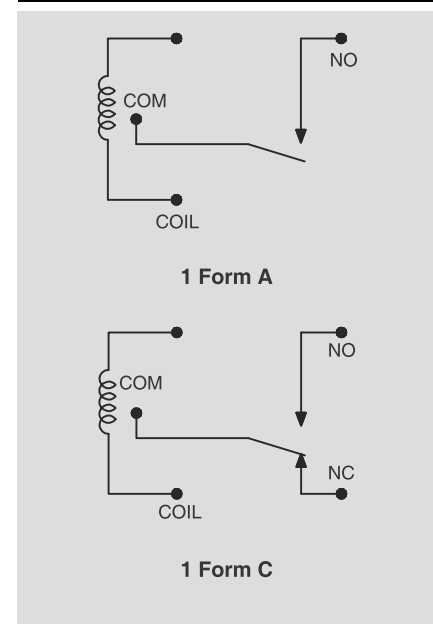
Nominal Coil Power	: 0.64W (Approx.)
Operating Power	: 0.28W (Approx.)
Operate Time*	: 10 milli Seconds max
Release Time*	: 10 milli Seconds max

\* At nominal voltage (excluding bounce)

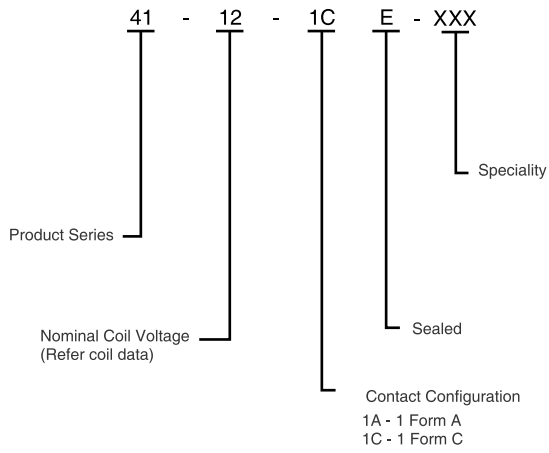
### OPERATING CONDITIONS

Ambient Temperature	: $-40^{\circ}\text{C}$ to $+85^{\circ}\text{C}$
Dielectric Strength	
Between contact	: 500VRMS
Between coil & contact	: 750VRMS
Insulation Resistance	: 100 M $\Omega$ min. at 500 DC, 25°C RH 50%
Vibration Resistance (without change in the switching state > 10 $\mu$ S)	: 10 to 100Hz, 4.4g
Shock Resistance (without change in the switching state > 10 $\mu$ S)	: 10g, 11 ms.
Weight	: 5gms Max.

### CIRCUIT DIAGRAM



## HOW TO ORDER

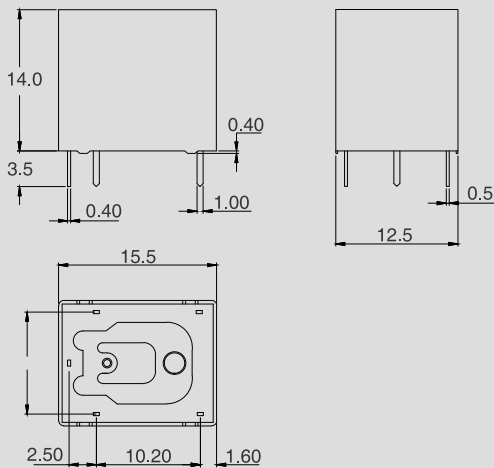


## COIL DATA

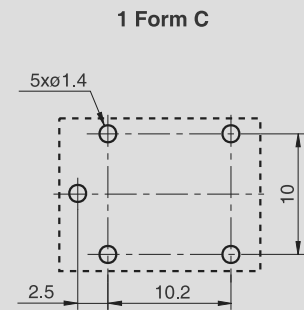
Nominal Voltage V DC	**Pick Up Voltage V DC (Max)	Drop-Out Voltage V DC (Min)	Coil Resistance Ohms $\pm 10\%$
5	4.0	0.6	42
12	8.0	1.5	225
24	16.0	3.0	900

\*\* Lower pick-up voltages available on request

## DIMENSIONS



## DRILLING PATTERN



**AVAILABLE ON REQUEST**

- For other custom solutions consult factory