



O/E/N 79

AUTOMOTIVE POWER RELAY

FEATURES

- High performance
- Dust protected
- Universal foot print
- Medium duty

APPLICATION

- Starter motor
- Radiator fan
- A/C Controls
- Heating elements

TECHNICAL DATA FOR CONTACT SIDE :

Model	: 79
Areas of Application	Resistive / Inductive / Capacitive Load
Contact Configuration	: 1 Form A, 1 NO / 1 Form C, 1 CO
Contact Material	: Silver Nickel / Silver tin oxide*
Contact Rating at 23°C - 13.5VDC	: 50A / 30A
24VDC	: 25A / 15A
Electrical Life Operations Min.	: 1 x 10 ⁵
Mechanical Life Operations Min.	: 1 x 10 ⁷
Contact Voltage Drop at 10 A (Max.)	: 30mV
Maximum Switching Current @ 12.8 VDC For 3 Sec.	: 120A

*Under introduction

GENERAL DATA FOR COIL SIDE

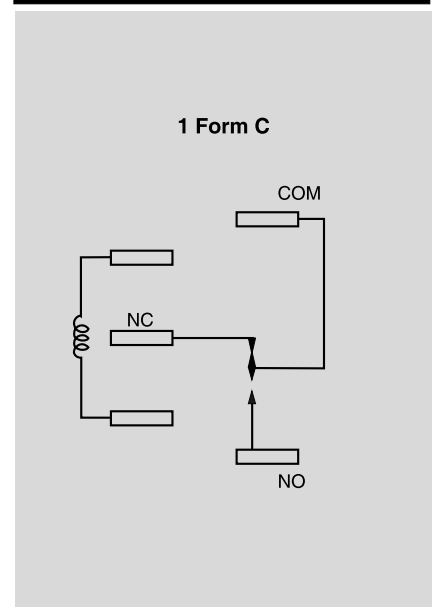
Nominal Coil Power	: 1.9W (Approx)
Operating Power	: 1.1W (Approx)
Operate Time*	: <10 milli Seconds (max.)
Release Time*	: < 7 milli Seconds (max.)

* At nominal voltage without coil suppression (excluding bounce)

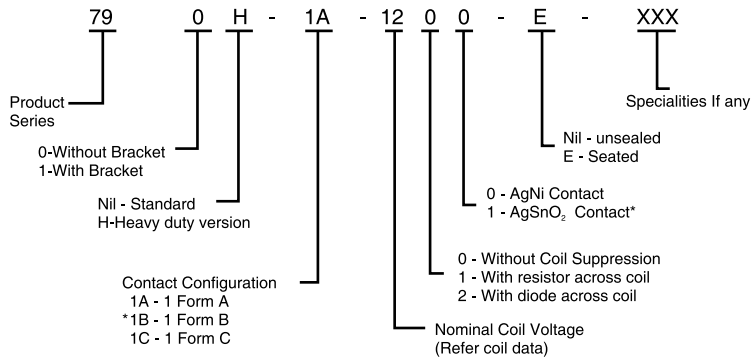
OPERATING CONDITIONS

Ambient Temperature	: -40°C to +85°C
Maximum Temperature	: 125°C
Dielectric Strength	: 500VRMS
Insulation Resistance	: 100 Meg. Ohms Min. At 500 VDC, 25°C RH 50
Vibration Resistance (without change in the switching state>10μS)	: 10-500Hz 20g
Shock Resistance (without change in the switching state>10μS)	: 20g, 8mS

CIRCUIT DIAGRAM



HOW TO ORDER



*Under introduction

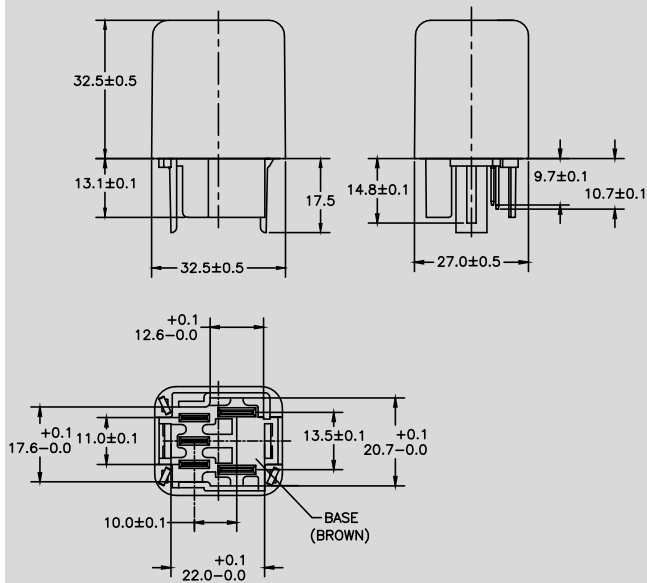
COIL DATA

Nominal Voltage VDC	Coil Resistance at 20 °C Ohms ± 10%	Pick - up Voltage** VDC (MAX)	Drop Out Voltage VDC (MIN)
12	75	7.2	1.2
24	300	14.4	2.4

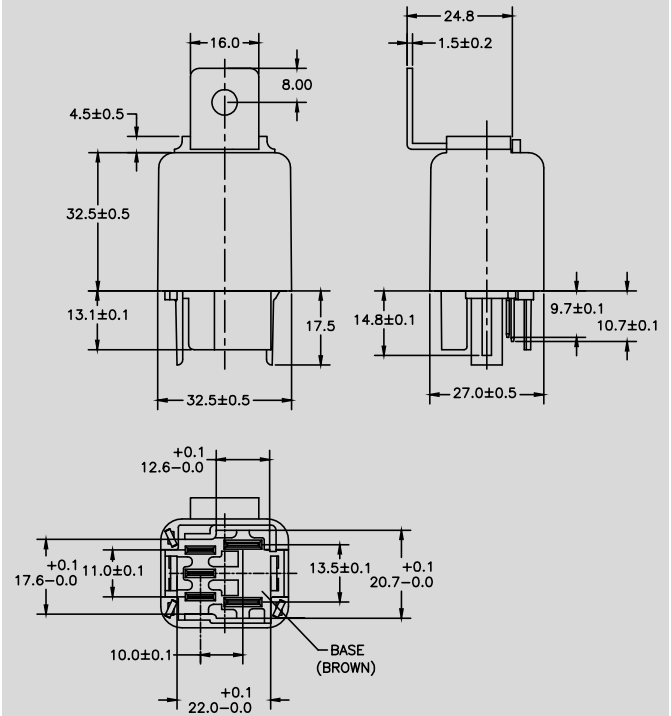
**Lower pick-up Voltages available on request

DIMENSIONS

Relay without Bracket



Relay with Bracket



MECHANICAL DATA

COVER RETENTION

Pull : 20KgF
Push : 20KgF

TERMINAL STRENGTH

Pull : 10KgF
Push : 10KgF
Plug-in Force : 12.25KgF
Removal Force : 11.35KgF

AVAILABLE ON REQUEST

● For other custom solutions consult factory